

# Mounting Bracket Dimensions

(NOMINAL INCHES)

DIAGRAM 1.

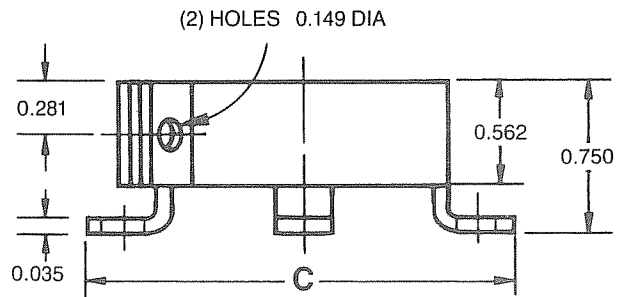
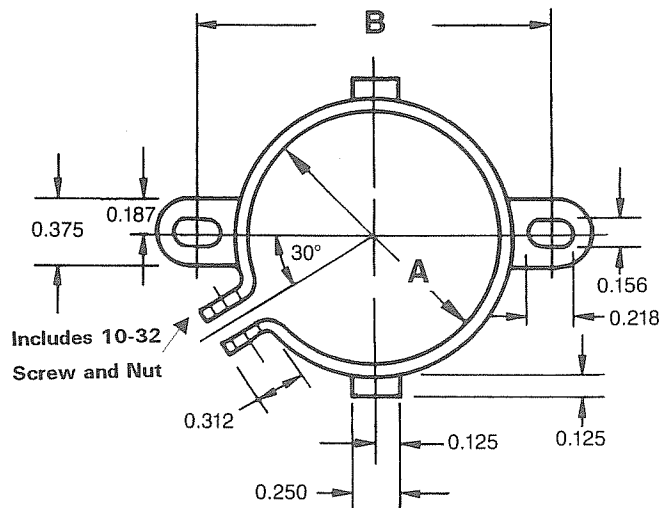
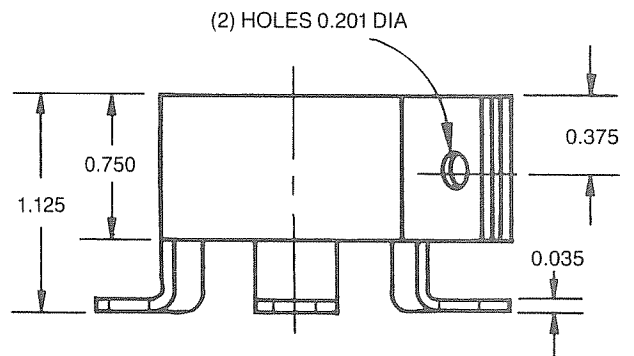
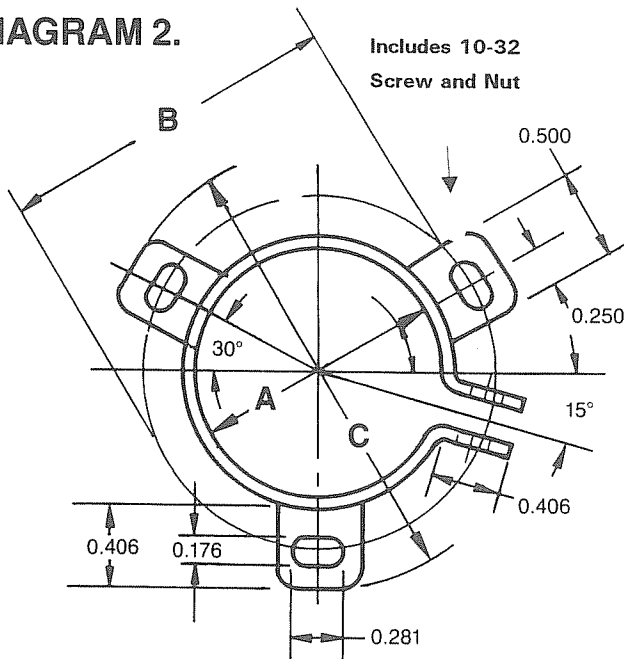


DIAGRAM 2.



PART NUMBER	A	B	C	DIAGRAM
295A6016P41	1.375	1.781	2.218	1
295A6016P31	1.75	2.25	2.625	2
295A6016P32	2	2.5	2.875	2
295A6016P33	2.5	3	3.375	2
295A6016P42	3	3.5	3.875	2

Standard finish zinc plate